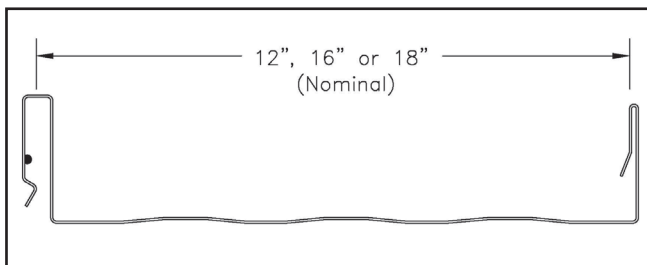


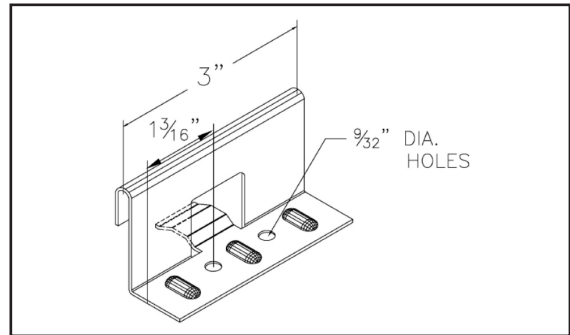
## OVERVIEW & FEATURES

R-Mer Loc is an architectural/structural standing seam roof system available in several attractive colors. The watertight seam combined with the strength of R-Mer Loc's 18 gauge one-piece clip, make this an ideal choice whenever considering re-roof applications, mansards and/or new construction.

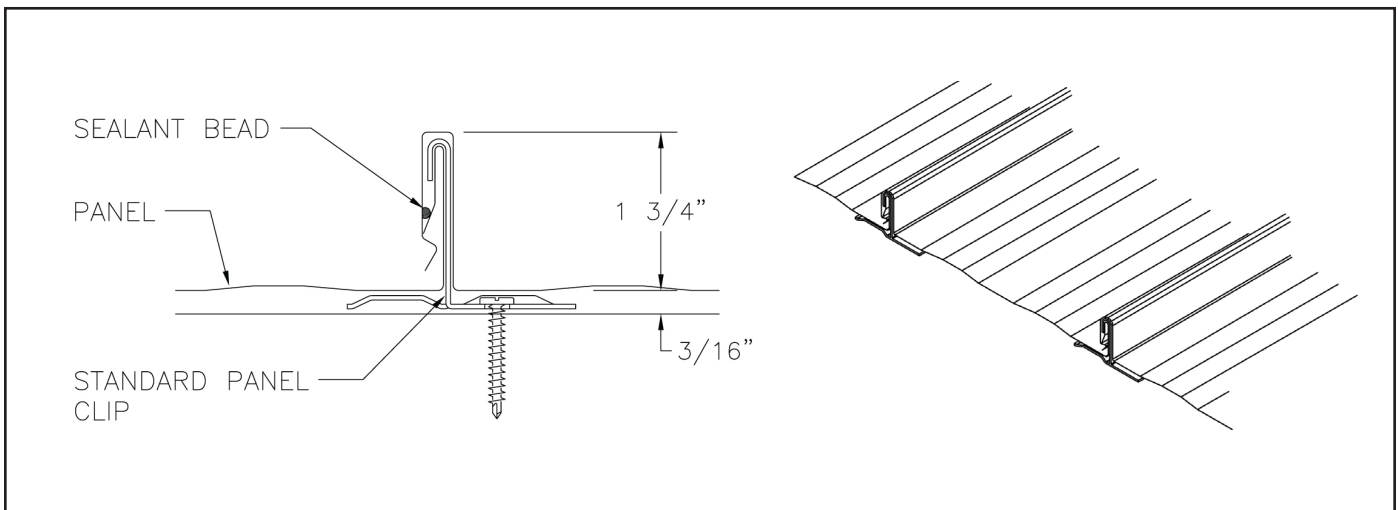
### PANEL PROFILE



### STANDARD CLIP



### SEAM DETAIL AND ASSEMBLY





## DESIGN CHARACTERISTICS

- Integral standing seam design provides excellent spanning capability as well as architectural appeal
- Heavy duty (18 gauge), one piece concealed clip design accommodates thermal movement
- Internal gutter/anti-siphon feature helps protect against the elements
- 3/16" high clearance between panel and substrate helps ventilation and reduces possibility of condensation
- Factory installed hot melt sealant in seam
- 1 3/4" high vertical seam
- Available in 22 and 24 gauge G-90 Galvanized steel; .040 aluminum
- Panel widths are 12", 16" and 18"
- Maximum panel length 65' (factory roll-formed)
- May be installed over open purlins on slopes down to 3:12 and over a solid substrate in slopes down to 1 1/2:12
- Ideal for retrofits or new construction
- 20 and 30 year warranties available
- Available in a wide variety of colors

## TEST CLASSIFICATIONS

- UL 90 classification in accordance with UL 580 test procedure
- Class A fire rating in accordance with UL 790
- Roof System in compliance with ASTM E 1592 requirements
- Air infiltration test in accordance with ASTM E 283 and ASTM E 1680
- Water penetration test in accordance with ASTM E 331 and ASTM E 1646

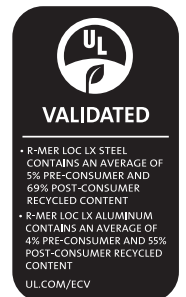
## COLORS

Please contact your local Garland Representative for the available colors including those that are CRRC®\* qualified.

For specific application recommendations and coverage rates, please contact your local Garland Representative or Garland Technical Service Department.



\*based on qualified colors



For more information, visit us at: [www.garlandco.com](http://www.garlandco.com)

**The Garland Company, Inc.**  
 3800 East 91st Street  
 Cleveland, OH 44105  
 FAX: 216-641-0633  
 Phone: 216-641-7500  
 Toll Free: 800-321-9336

**Garland Canada Inc.**  
 209 Carrier Drive  
 Toronto, Ontario  
 Canada, M9W 5Y8  
 FAX: 416-747-1980  
 Phone: 416-747-7995  
 Toll Free: 800-387-5991  
 (Only in Canada)

Tests verified by independent laboratories. Actual roof performance specifications will vary depending on test speed and temperature. Data reflects samples randomly collected. A ± 10% variation may be experienced. The above data supersedes all previously published information. Consult your local Garland Representative or Garland Corporate Office for more information.

R-Mer is a trademark of The Garland Company, Inc. and Garland Canada Inc. ENERGY STAR is a registered trademark of the U.S. government. The ENERGY STAR program represents a voluntary partnership between businesses and organizations and the federal government to promote energy efficiency and environmental activities (Valid in U.S. only). The CRRC mark is a registered trademark of the Cool Roof Rating Council.

© 2024 The Garland Company, Inc.

RMER LOC 0824