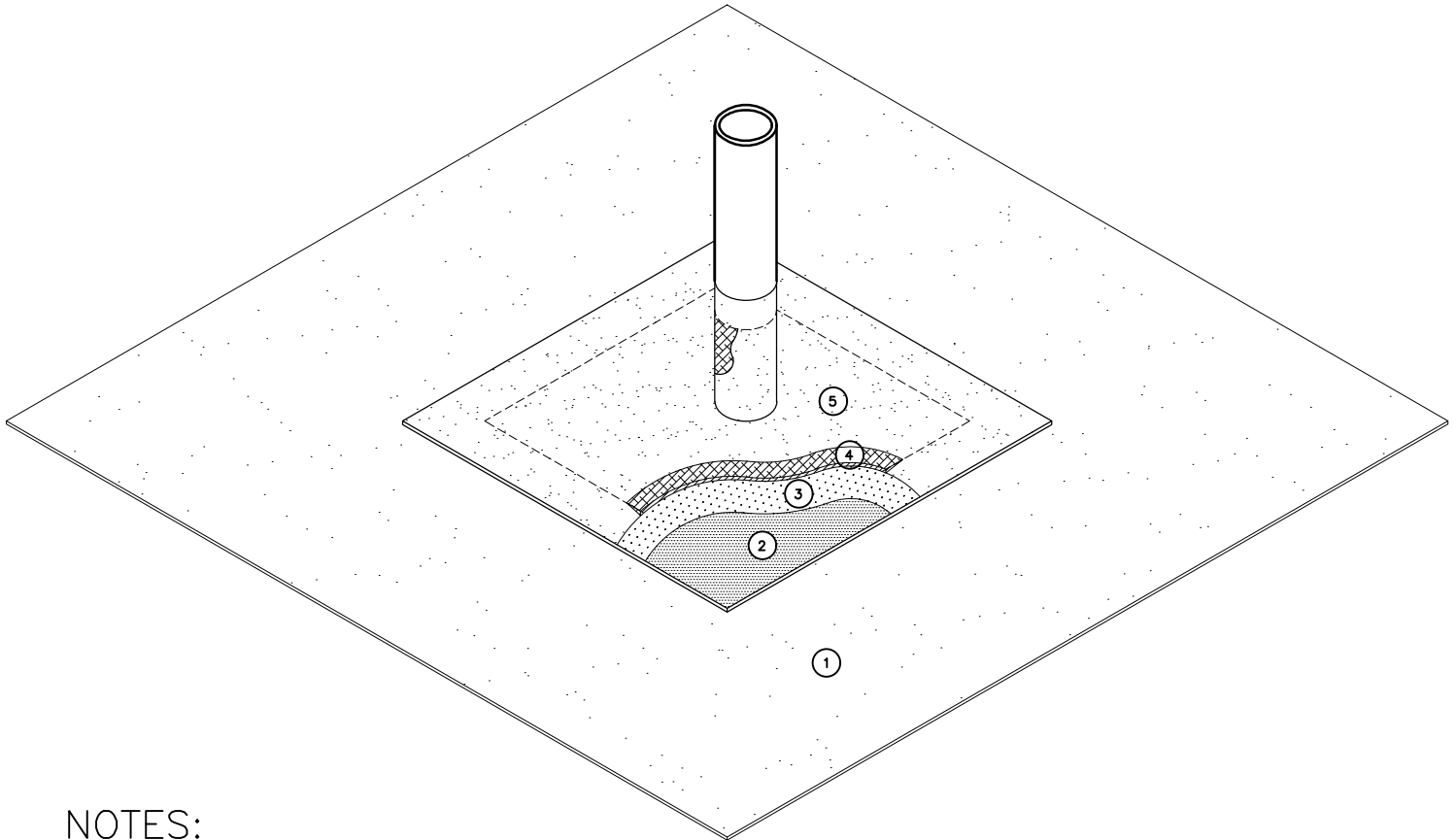


ASSEMBLY:

- ① MASK TARGET AREA ON ROOF MEMBRANE WITH TAPE
 - ② CLEAN ALL NON-POUROUS AREAS WITH ISOPROPYL ALCOHOL
 - ③ APPLY 32 WET MIL BASE COAT OF TUFF-FLASH PLUS LO OVER MASKED AREA
 - ④ EMBED GRIP POLYESTER FIRM INTO BASE COAT OF TUFF-FLASH PLUS LO
- APPLY 48-64 WET MIL TOP COAT OF TUFF-FLASH PLUS LO OVER FABRIC EXTENDING 2" PAST THE SCRIM IN ALL DIRECTIONS
- ⑤ APPLY MINERALS IMMEDIATELY OR ALLOW TUFF-FLASH PLUS LO TO CURE 15-30 DAYS AND THEN INSTALL REFLECTIVE COATING



NOTES:

- A. USE THIS DETAIL IN CONJUNCTION WITH THE TUFF-FLASH PLUS LO REINFORCEMENT LAYOUT DRAWING.
- B. EMBED ALL PRE-CUT FABRIC INTO A 32 WET MIL BASE COAT OF TUFF-FLASH PLUS LO.
- C. ENSURE TOTAL TARGET AREA OF FLASHING IS NO LESS THAN 16"X 16".
- D. REMOVE MASKING IMMEDIATELY AFTER APPLICATION OF TOP COAT.
- E. REFER TO TUFF-FLASH PLUS LO APPLICATION INSTRUCTIONS FOR GENERAL GUIDELINES REGARDING THE TUFF-FLASH PLUS LO SYSTEM.



THE GARLAND COMPANY, INC.
 GARLAND CANADA, INC.
 THE GARLAND COMPANY UK, LTD

PIPE PENETRATION DETAIL

TUFF-FLASH PLUS LO FLASHING SYSTEM