

OVERVIEW

The design principles of rainscreens require that ventilation be provided behind the exterior cladding of the system. The Vented Hat Channel was specifically designed to provide secure attachment of the cladding systems while providing the critical ventilation/drainage cavity. This 18-gauge steel framing component provides a strong structural support for rainscreen systems and when installed over continuous insulation, results in minimal thermal bridging.

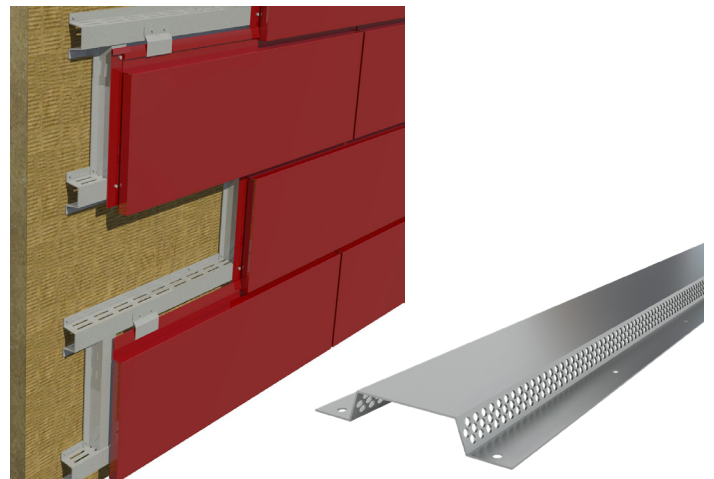
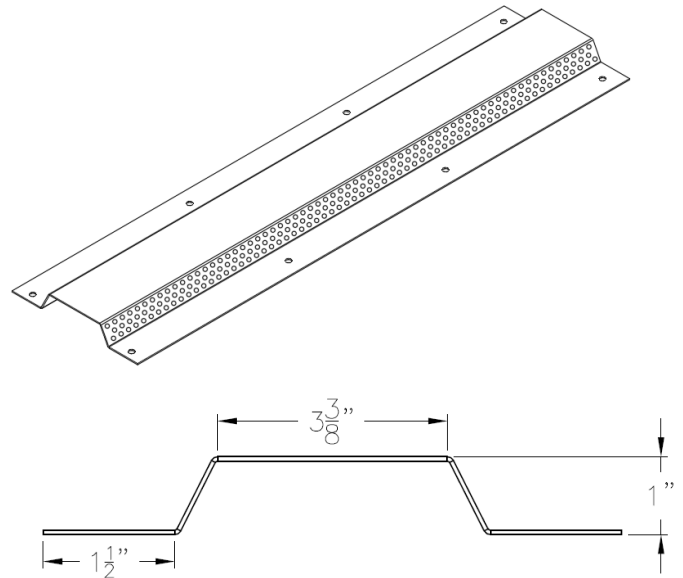
APPLICATION

The Vented Hat Channel layout is dependent upon the external cladding system and other project demands. The Vented Hat Channel can be ran horizontally or vertically depending upon project demands. The fastening requirements of the Vented Hat Channel must be designed for each project. For applicable spacing and fastening requirements, please contact your local Garland Representative.

DESIGN CHARACTERISTICS

- Available in 18-gauge G-90 Galvanized coated steel or T304 stainless steel
- Available with 1/4" pre-punched holes every 8" on center on both flanges
- Provides prepunched staggered perforations, 597 holes per side with a 0.265" diameter
- Offers to 3.28 square inches of ventilation space per linear foot of vented hat channel (27.3625% open air)
- Features 3 3/8" top width and 1 1/2" flanges, 1" height and 10" length

VENTED HAT CHANNEL PROFILES



For more information, visit us at: www.garlandco.com

The Garland Company, Inc.
 3800 East 91st Street
 Cleveland, OH 44105
 FAX: 216-641-0633
 Phone: 216-641-7500
 Toll Free: 800-321-9336

Garland Canada Inc.
 3565 Nashua Drive
 Mississauga, ON L4V 1R1
 Canada
 FAX: 416-747-1980
 Phone: 416-747-7995
 Toll Free: 800-387-5991
 (Only in Canada)

Tests verified by independent laboratories. Actual roof performance specifications will vary depending on test speed and temperature. Data reflects samples randomly collected. A $\pm 10\%$ variation may be experienced. The above data supersedes all previously published information. Consult your local Garland Representative or Garland Corporate Office for more information.