

OVERVIEW & FEATURES

R-Mer Edge Coping is a family of premium metal edge products designed to protect the vulnerable conditions around a roof perimeter. Along with superior performance, this family of products offers an architecturally pleasing look that will enhance the appearance of any building. A full line of accessories including mitered corners, transitions, and end caps are also available.

AVAILABLE MATERIALS

Coping Cover & Splice Plate

24 Gauge Steel & 22 gauge G-90 Galvanized Steel and .040" & .050" Aluminum

- 16 Standard Kynar® Colors

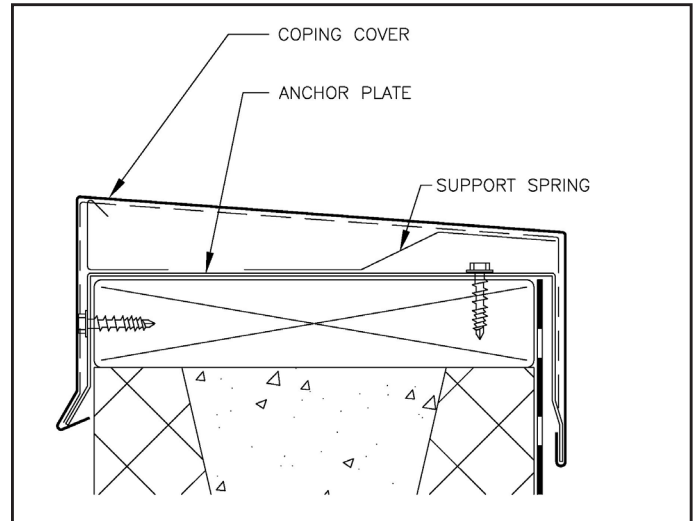
Anchor Chair

- 16 Gauge G-90 Galvanized Steel

Testing

- Ratings vary by width and gauges. Please contact your local Garland Representative for available test reports.
- ANSI/SPRI/FM 4435 ES-1

R-MER COPING





ACCESSORIES

Coping Systems

- Inside and outside pre-manufactured mitered corners
- End caps
- Transition
- Tees

COLORS

Please contact your local Garland Representative for the available colors.



For more information, visit us at: www.garlandco.com

The Garland Company, Inc.
3800 East 91st Street
Cleveland, OH 44105
FAX: 216-641-0633
Phone: 216-641-7500
Toll Free: 800-321-9336

Garland Canada Inc.
209 Carrier Drive
Toronto, Ontario
Canada, M9W 5Y8
FAX: 416-747-1980
Phone: 416-747-7995
Toll Free: 800-387-5991
(Only in Canada)

Tests verified by independent laboratories. Actual roof performance specifications will vary depending on test speed and temperature. Data reflects samples randomly collected. A ± 10% variation may be experienced. The above data supersedes all previously published information. Consult your local Garland Representative or Garland Corporate Office for more information.

R-Mer is a registered trademarks of The Garland Company, Inc. and Garland Canada, Inc.