

### OVERVIEW

R-Mer Drip Edge Fascia combines a tested and approved edge metal system with ready-to-ship convenience. Superior performance and an architecturally pleasing finish will both protect and enhance the appearance of any building. Factory formed fascia takes out the guess work for contractors and allows for lower labor costs and faster project completion.

R-Mer Drip Edge is tested in accordance with ANSI/SPRI ES-1 standard and FM 4435, providing a code-compliant design. Pair the R-Mer Drip Edge with our full line of perimeter accessories including fascia extenders, gutters, and downspouts.

**Ease of Installation** – Factory formed drip edge eliminates the need for field fabrication, taking out guess work and saving time during installation.

**Strong & Durable** – R-Mer Drip Edge provides an ANSI/SPRI ES-1 and FM 4435 code-compliant design that has been tested to withstand extreme wind pressures without compromising security. A strong perimeter edge translates to a longer service life of the roof system.

### AVAILABLE MATERIALS

#### Fascia Cover

- 24 Gauge Steel & 22 Gauge Steel
- .040" Aluminum & .050" Aluminum
- Vertical face height – up to 8" max

#### Continuous Cleat

- 22 Gauge G-90 Galvanized Steel

### TEST CLASSIFICATIONS

- ANSI/SPRI ES-1 tested and compliant
- FM 4435 tested and approved

### ACCESSORIES

#### Fascia Extenders

Fascia Extender system includes continuous 22-gauge cleat

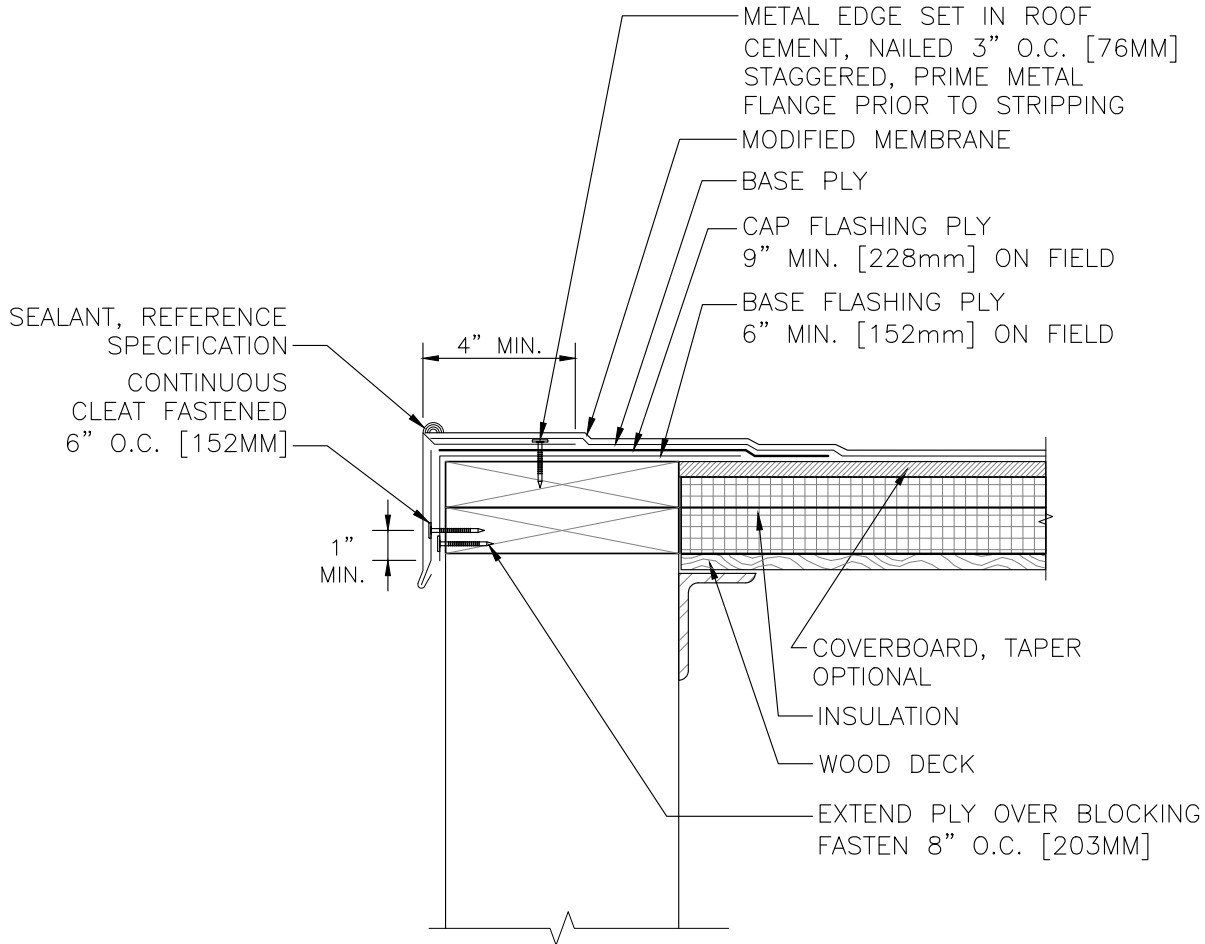
- 22 or 24-gauge steel
- .040" & .050" Aluminum

### COLORS

Available in 16 standard Kynar® colors as well as an array of designer and premium color options, including Garland's Vintage Stone Collection. Please contact your local Garland representative for available colors.



**R-MER DRIP EDGE FASCIA**



For more information, visit us at: [www.garlandco.com](http://www.garlandco.com)

**The Garland Company, Inc.**  
3800 East 91st Street  
Cleveland, OH 44105  
FAX: 216-641-0633  
Phone: 216-641-7500  
Toll Free: 800-321-9336

**Garland Canada Inc.**  
209 Carrier Drive  
Toronto, Ontario  
Canada, M9W 5Y8  
FAX: 416-747-1980  
Phone: 416-747-7995  
Toll Free: 800-387-5991  
(Only in Canada)

Tests verified by independent laboratories. Actual roof performance specifications will vary depending on test speed and temperature. Data reflects samples randomly collected. A ± 10% variation may be experienced. The above data supersedes all previously published information. Consult your local Garland Representative or Garland Corporate Office for more information.

R-Mer and Garland Greenhouse are registered trademarks of The Garland Company, Inc. and Garland Canada, Inc.