

OVERVIEW

R-Mer Force is a remarkably strong, flashless metal edge product designed to protect roof perimeters. With unique engineering, R-Mer Force eliminates the need for flashing plies that would ordinarily be installed at the roof's edge. With this system, an aluminum base anchor secures roofing plies and protects the system from even the most severe conditions. R-Mer Force also incorporates a unique thermoplastic elastomer compression seal insert that keeps the fascia cover tightly secured, while still allowing for thermal expansion and contraction. The balanced tension provided by the compression insert also keeps the surface smooth and prevents the unsightly oil canning effect that can plague other metal edge systems.

R-Mer Force is tested in accordance with the ANSI/SPRI/FM 4435 ES-1 standard, providing code-compliant designs. Complete this strong system with our full line of accessories including fascia extenders, gutters, downspouts and elbows, and scuppers.

Ease of Installation – Simplify roof installation by eliminating flashing steps and anchoring R-Mer Force to the exterior wall using pre-punched slots. Factory-formed fascia covers easily snap on the wall anchors to complete the system.

Perfect Fit – While some metal edge systems are tension mounted using metal springs, unique thermoplastic elastomer extrusions included with every R-Mer Force system ensure each fascia cover fits securely by applying the perfect amount of tension.

Strong & Durable – R-Mer Force's extruded aluminum base anchor provides ANSI/SPRI/FM 4435 ES-1 code-compliant design that has been tested to withstand extreme wind pressures without compromising security, so the roof's edge is protected for the long-term. Stronger edge metal translates to a longer service life.

Watertight – R-Mer Force is anchored to the wall instead of to the field of the roof like other metal edge systems. By fastening R-Mer Force to the wall, the field is left intact without penetrations that could potentially allow moisture into the building.

MATERIALS & SIZES

Fascia Cover & Splice Plate

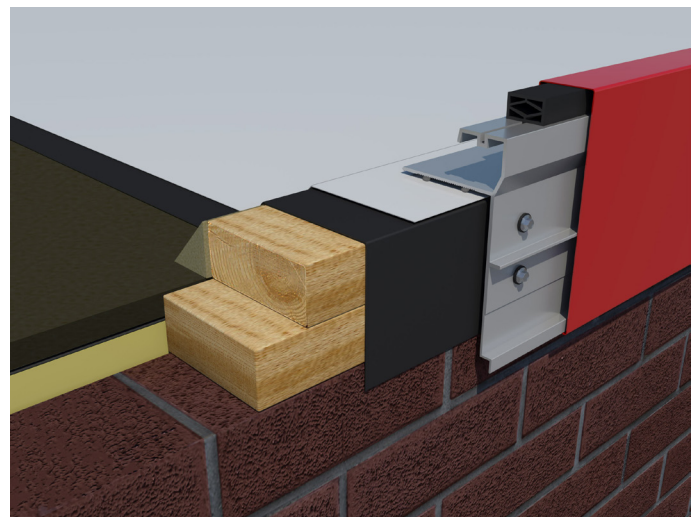
- 24-gauge steel & 22-gauge G-90 Galvanized Steel
- .040" & .050" Aluminum
- Vertical face height options: 5 ¼", 7 ¼", 8 ¾", 10 ¼"

TEST CLASSIFICATIONS

- ANSI/SPRI/FM 4435 ES-1
- Ratings vary by face height and gauge. Please contact your local Garland representative for available test reports.

PRECAUTIONS

- Do not rotate fascia cover to install, fascia cover should be installed vertically to verify compression seals stay in place.
- During installation, verify that the fascia cover has full engagement on the base anchor at the top and bottom.
- Green-Lock® XL and compression seals must be stored at a minimum of 50°F (10°C) until time of installation.
- Refer to R-Mer Force Installation Instructions for a complete and thorough guide to properly install the R-Mer Force system.



ACCESSORIES

Fascia System

- Inside and outside pre-manufactured mitered corners
- Spillout scuppers
- Downspout scuppers
- Compression seal insert
- Green-Lock® Sealant XL

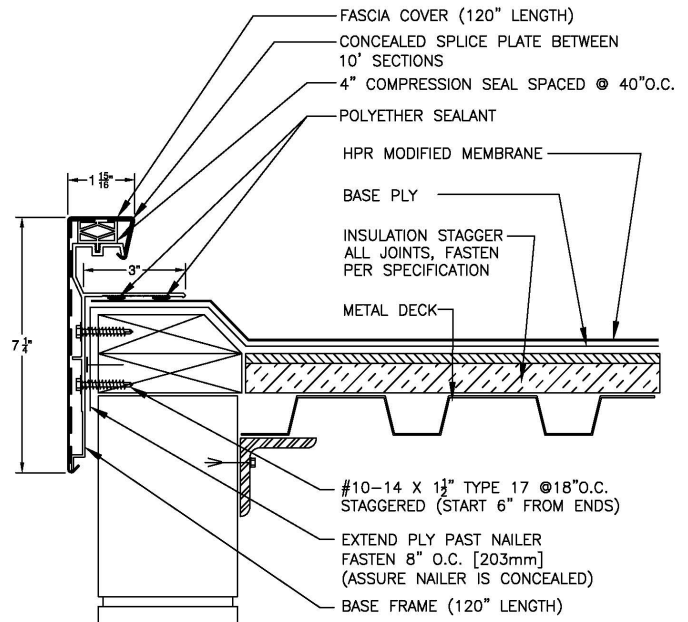
Fascia Extenders

Fascia Extender system includes continuous 22-gauge cleat

- 22 or 24-gauge steel
- .040" & .050" aluminum

COLORS

Available in 16 standard Kynar® colors as well as an array of designer and premium color options, including Garland's Vintage Stone Collection. Please contact your local Garland representative for available colors.



Note: 7.25" face size depicted in the detail above. 5.75", 8.75" and 10.25" face sizes also available. For all sizes, the fascia extends 2.25" above the roof edge or wood nailers.



For more information, visit us at: www.garlandco.com

The Garland Company, Inc.
 3800 East 91st Street
 Cleveland, OH 44105
 FAX: 216-641-0633
 Phone: 216-641-7500
 Toll Free: 800-321-9336

Garland Canada Inc.
 209 Carrier Drive
 Toronto, Ontario
 Canada, M9W 5Y8
 FAX: 416-747-1980
 Phone: 416-747-7995
 Toll Free: 800-387-5991
 (Only in Canada)

Tests verified by independent laboratories. Actual roof performance specifications will vary depending on test speed and temperature. Data reflects samples randomly collected. A ± 10% variation may be experienced. The above data supersedes all previously published information. Consult your local Garland Representative or Garland Corporate Office for more information.

R-Mer is a registered trademarks of The Garland Company, Inc. and Garland Canada, Inc.